



# GA SERIES

HEAVY DUTY AIR CURTAIN

(3 Models with: 3, 4 and 5 Foot Coverage)

FOR COMMERCIAL AND INDUSTRIAL USE

(INDOOR USE ONLY)

Voltage: 110~120VAC, 60Hz



High Velocity Version:

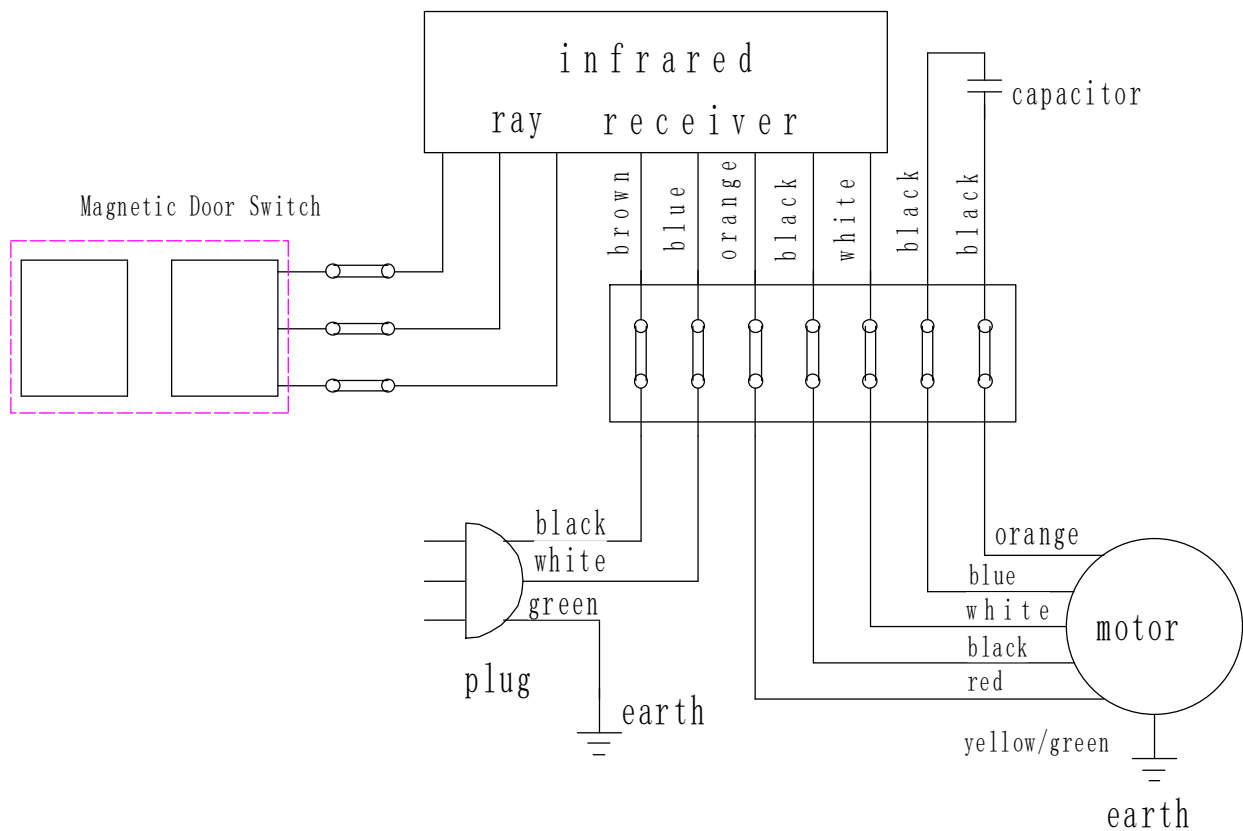
Air Speed (At Nozzle: 1900 Ft/Min)

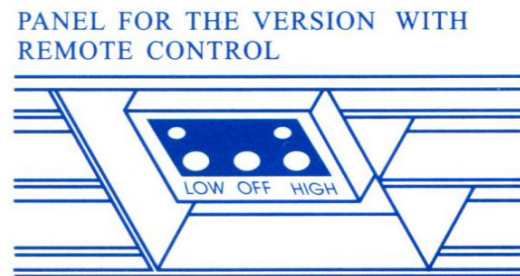
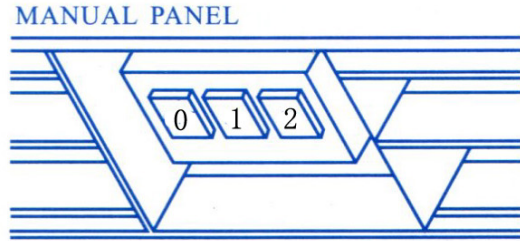
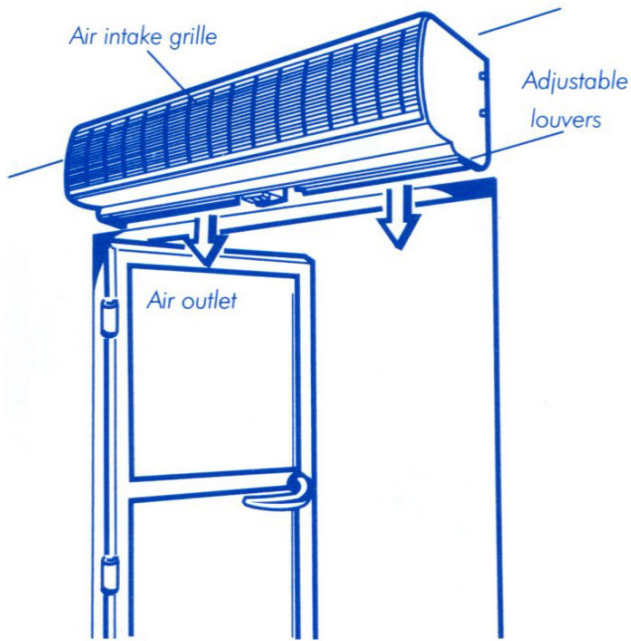
Installer: Please read this manual carefully and follow all instructions. Leave it with the owner after installation for future reference.

This air curtain was packed in the best possible way to avoid any shipping damages. Yet, although rare, some damages are unavoidable due to rough handling. Upon arrival, please inspect the air curtain carefully for any shipping damages. Please report any damages. Do not return to the shipper. Replacements parts are available and will be provided free of charge by the shipper. All components can be easily replaced.

For service parts during and after the warranty period, please email [info@highseer.com](mailto:info@highseer.com) with your model and serial number.

WIRING DIAGRAM:





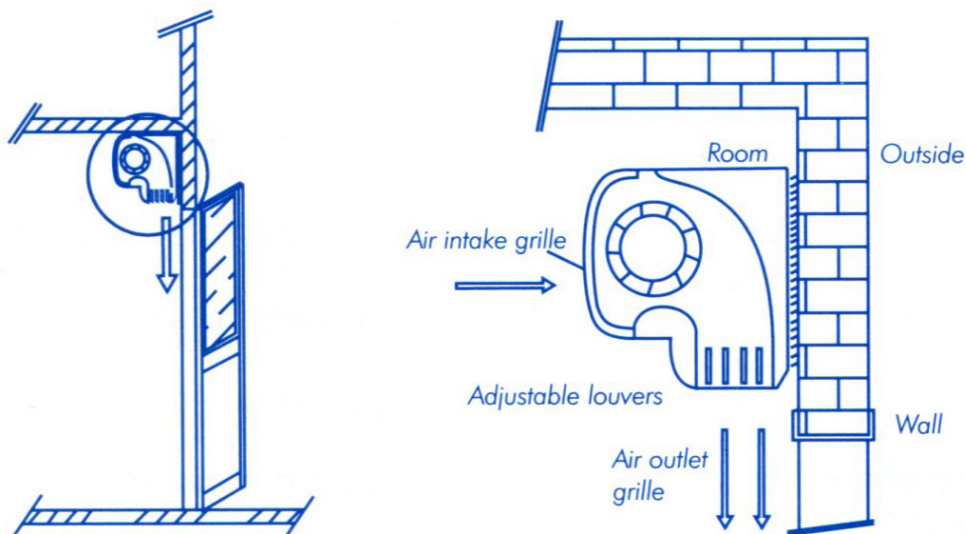
Keyboard control or remote control is available at your choice. Please specify the control type when placing the order.

## WORKING PRINCIPLE

*Air curtains are designed to keep the air in the room separate from the outside air, thus preventing the heated or cooled indoor air from leaking outside and pests and obnoxious smells from entering inside. It creates an invisible air screen at the openings to the outside.*

*The unit should be installed above the opening to cover the entire width of an external door. Suggested height is between 8 to 10 feet from the floor level.*

*The air inside the room is sucked in by two centrifugal fans through the decorative front grilles and then directed through manually adjustable louvers downwards, all the way to the floor. Motor provides high and low speed settings which can be selected by the user.*

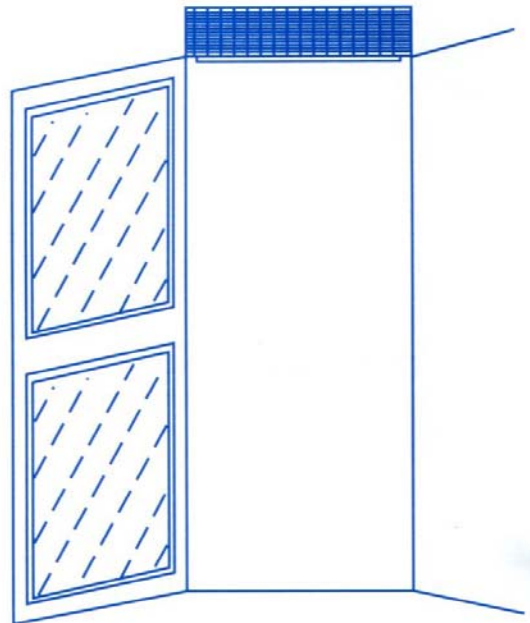


## CHOICE OF MODEL

*The air curtain should have the same length as the width of the door, over which it will be installed. If necessary, two or more curtains can be installed side by side, to attain uniform coverage across the entire opening.*

*To obtain maximum performance, the air outlet should be positioned in immediate correspondence with the top edge of the door and the air flow speed at ground level must be between 300 and 500 foot/min.*

*GA series air curtains are equipped with 6 inch diameter centrifugal blowers and provide excellent coverage when installed at heights up to 12 feet max. (preferably between 8 and 10 feet) from the floor.*



## INSTALLATION

### Installation location

*The installation location of the air curtain must be indoors only, on a solid and vibration free wall. Do not install the appliance in an excessively humid location or in a place where it can be easily sprayed with water. If possible avoid installing the unit where there is direct sunlight.*

*If the door is wider than the air curtain, two or more units can be installed side by side.*

### Installation of the Mounting Frame:

- 1) After removing the appliance from the packing, separate the mounting frame from the air curtain (attached to the back of the unit at the factory as packed);*
- 2) If included, remove the styrene protective inserts, placed inside the unit to prevent the blower wheels from damage during the shipment (see separate instructions).*
- 3) Position the mounting frame so it is perfectly level and mark the fastening holes (see the drawings provided for details);*
- 4) Fasten the mounting frame to the wall using screw anchors which are suitable for the type of wall;*
- 5) Hook the air curtain on to the mounting frame and fix it using the provided screws at the bottom part.*

**There should be no space left between the curtain and the wall once installation is complete.**

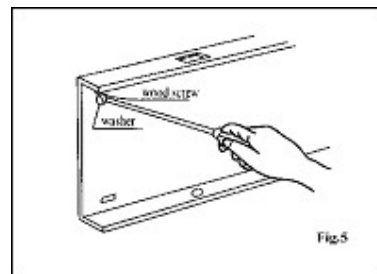
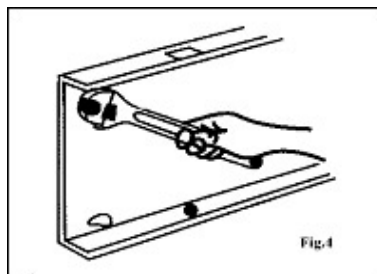
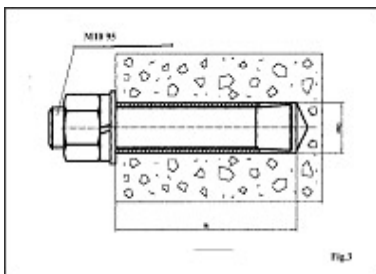
**Installing on a concrete wall:**

- 1) *Drill holes with a diameter of 1/2 Inch and 3 Inches depth.*
- 2) *Insert expansion bolts (1/2 x 3) into the holes and mount the mounting frame with the rectangular holes. Hang the unit body on and tighten the fixing screws at the bottom.*

**Installing on the wooden wall:**

*Fix the mounting frame with the proper wood screws on the chosen position.*

*Hang the unit body on and tighten the fixing screws at the bottom.*



**Start up**

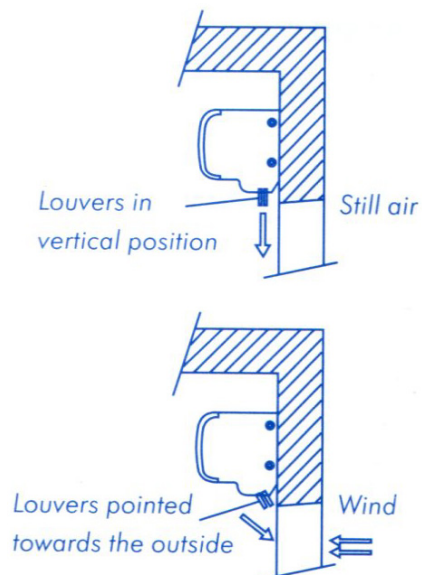
*Once installation is complete, connect the power supply cable to the 110~120V receptacle. This air curtain is equipped with a three-lead electric cable (line, neutral, Ground), which should be connected to properly grounded and receptacle with proper protection.*

**LOUVER ADJUSTMENT**

*The adjustable louvers allow the air flow to be directed as required.*

*Usually the louvers are to be pointed vertically, to direct the air flow vertically towards the floor.*

*If the air curtain is installed in a windy area the louver can be pointed slightly towards the outside, in order to balance the wind force.*



## **WARNINGS:**

- i. Connect the unit to a power socket protected by a thermal-magnetic safety switch suited to the electrical input of the appliance.*
- ii. Use the push button switches to start, stop, or change the speed of the unit. Or use the Remote Controller.*
- iii. When the air curtain is working or not, never insert fingers or any other things into inlet grill or outlet grills, to prevent serious injury and damage to the unit or other property.*

## **DOOR SWITCH OPTION (Optional):**

*When equipped the magnetic door switch controls the air curtain based on the opening and closing of a door below. If the entry point where the air curtain is equipped with a door and user desires to run the air curtain automatically, only when the door is opened, than install the door switch to the door. When the 2 pieces of the door switch and aligned against each other closely, the air curtain will stop.*

*If the door switch is not installed to the unit, it will run all the time when turned on by the controller, until it is turned off again. This is recommended for the areas without a door installed.*

## **MAINTENANCE**

### **Unit cleaning and maintenance:**

*Remove the plug or turn off the automatic circuit-breaker before carrying out any cleaning operations.*

*Clean the air intake and outlet grilles with a soft cloth, warm water (maximum 100 F) and mild detergent.*

*Do not use solvents or harsh detergents.*

*If the inside of the air curtain needs to be cleaned , remove the grilles and use a jet of air or a vacuum cleaner to get rid of the dust .*

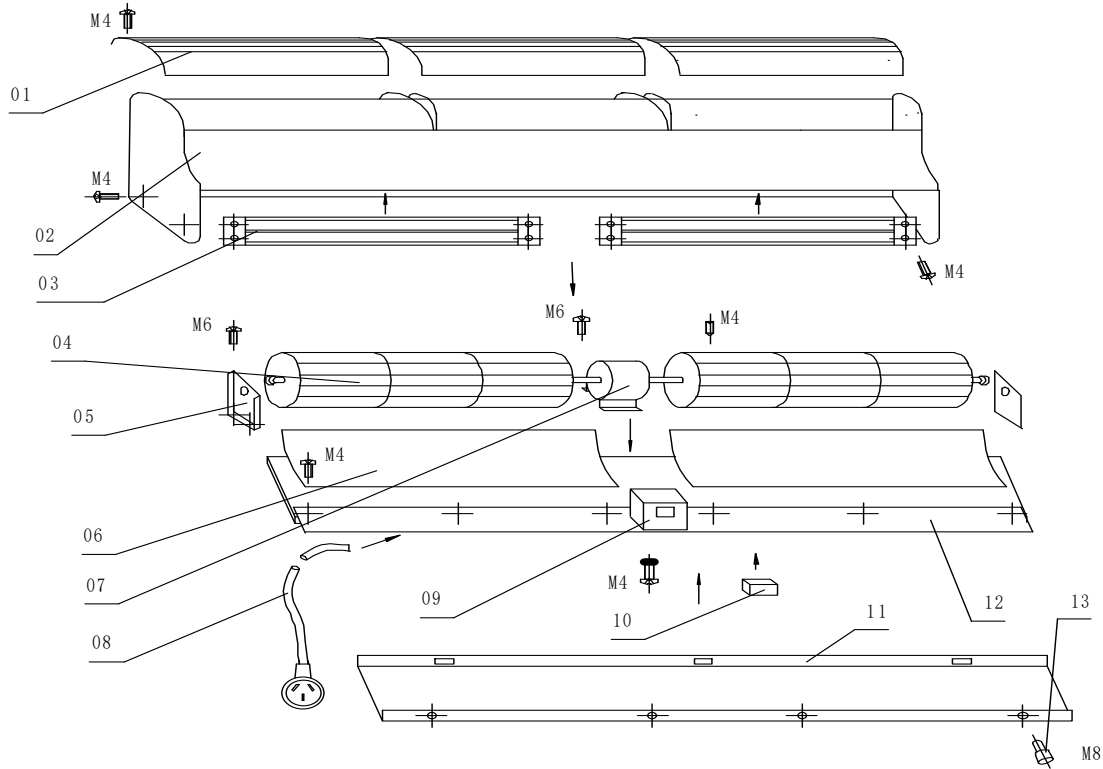
*Lubricate the bearings of the electric motor and the fan at least once a year.*

## **IF THE AIR CURTAIN DOES NOT WORK**

*If the unit gives no signs of life, make sure that the power is reaching to the unit:*

- is the plug inserted properly ?*
- has the automatic circuit-breaker tripped ?*
- has there been a power failure ?*

Parts Diagram:



Model		3 Foot	4 Foot	5 Foot
NO.	Description	Part code	Part code	Part code
01	Air inlet grill	1250901	1251201	1251501
02	Case body	1250902	1251202	1251502
03	Air outlet grill	1250903	1251203	1251503
04	Cross fan wheel	1250904	1251204	1251504
05	Bearing support	1250905	1251205	1251505
06	Under pan	1250906	1251206	1251506
07	Motor	1250907	1251207	1251507
08	Power wire	1250908	1251208	1251508
09	Infrared ray receiver	1250909	1251209	1251509
10	Capacitor	1250910	1251210	1251510
11	Soleplate	1250911	1251211	1251511
12	Scale board	1250912	1251212	1251512
13	Pin	1250913	1251213	1251513

A Quality Product of

**Parker Davis HVAC International, Inc.**

2260 NW 102 Place

Doral, FL 33172

Tel : (305) 513-4488

Fax : (305) 513-4499

Corporate Site : [www.pd-hvac.com](http://www.pd-hvac.com)

Online Sales : [www.highseer.com](http://www.highseer.com)

Designed in U.S.A., Manufactured in China under strict quality control standards.