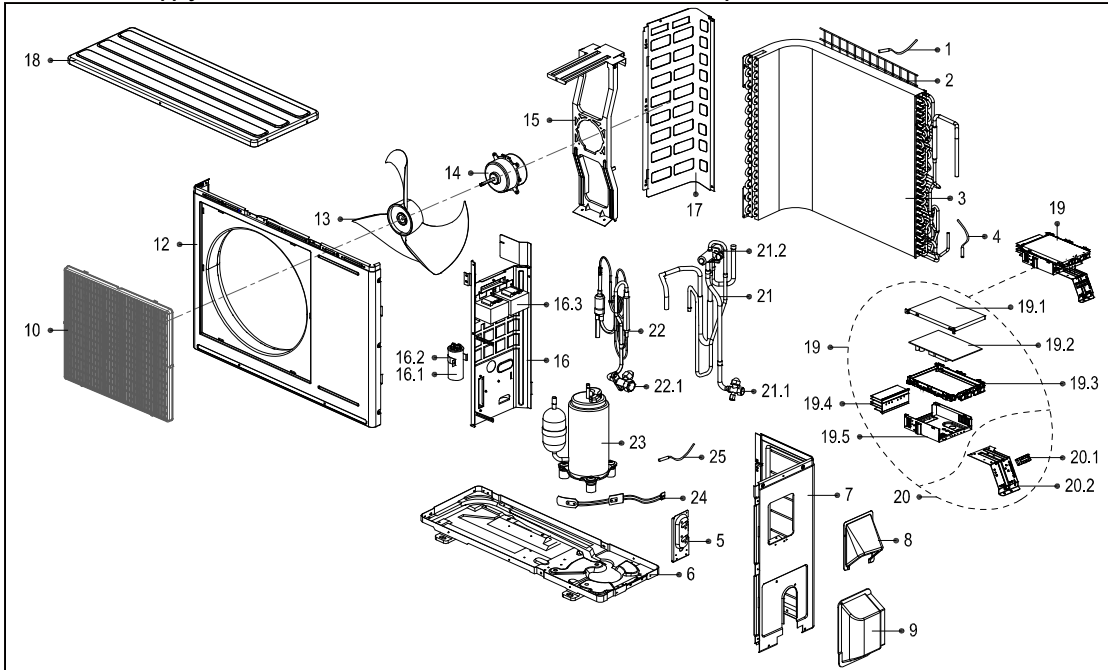


Model Number : YN012GMFI16RUD
Product Code : 220037506240
Power Supply : 208-230V~ 60Hz 1Phase

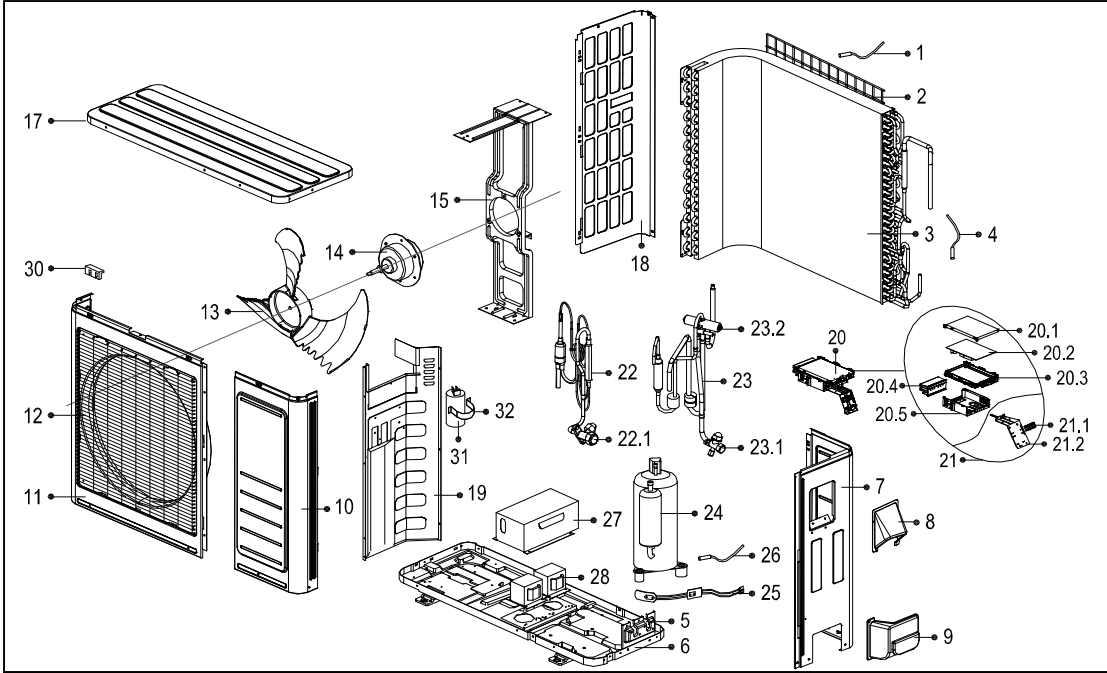
Decription: Inverter Universal Outdoor Unit



No.	Part Name	Quantity	BOM Code	Bin Code	Remark
1	Ambient temperature sensor assembly	1	202301310063	4	
2	Rear net	1	201237490045	5	
3	Condenser assembly	1	201537490008	617	
4	Pipe temperature sensor assembly	1	202440500004	4	
5	Valve plate	1	201237200299	0	
6	Chassis assembly	1	201237590104	0	
7	Right clapboard assembly	1	201237590080	38	
8	Big handle	1	201237390104	8	
9	Water collector	1	201137400000	8	
10	Air outlet grille	1	201137590017	17	
12	Front panel	1	201237400394	75	
13	Axial flow fan	1	201100390002	54	
14	Brushless DC Motor	1	202400370023	346	
15	Supporter assembly of fan motor	1	201237390026	23	
16	Partition board assembly	1	201237500225	201	
16.1	Capacitor of compressor	1	202401000612	25	
16.2	Capacitor clip	1	201200100002	2	
16.3	Reactor	1	202301000820	63	
16.3	Reactor	1	202301000819	61	
17	Left supporter	1	201237400401	23	
18	Top cover assembly	1	201237400404	36	
19	Electronic control box assembly	1	203337390250	0	
19.1	Cover of electronic control box	1	201237300162	6	
19.2	Outdoor main control board assembly	1	201337390264	0	
19.3	Support of electronic control box	1	201137300162	6	
19.4	Radiator	1	202301990008	25	
19.5	Electronic installing box	1	201237300318	0	
20	Terminal board assembly	1	203337590049	36	
20.1	Wire joint	1	202301400256	21	
20.2	Terminal board	1	201237590046	6	
21	4-Ways valve assembly	1	201637591478	0	
21.1	Gas valve	1	201600720195	36	
21.2	4-Ways valve	1	201600600521	0	
22	Liquid valve assembly	1	201637591155	33	
22.1	Liquid valve	1	201600740523	18	
23	Compressor	1	201400620600	837	
24	Crankcase electric heater	1	202403100501	25	
25	Discharge temperature sensor assembly	1	202301310068	8	

Model Number : YN018GMFI16RUD
Product Code : 220037804670
Power Supply : 208-230V~ 60Hz 1Phase

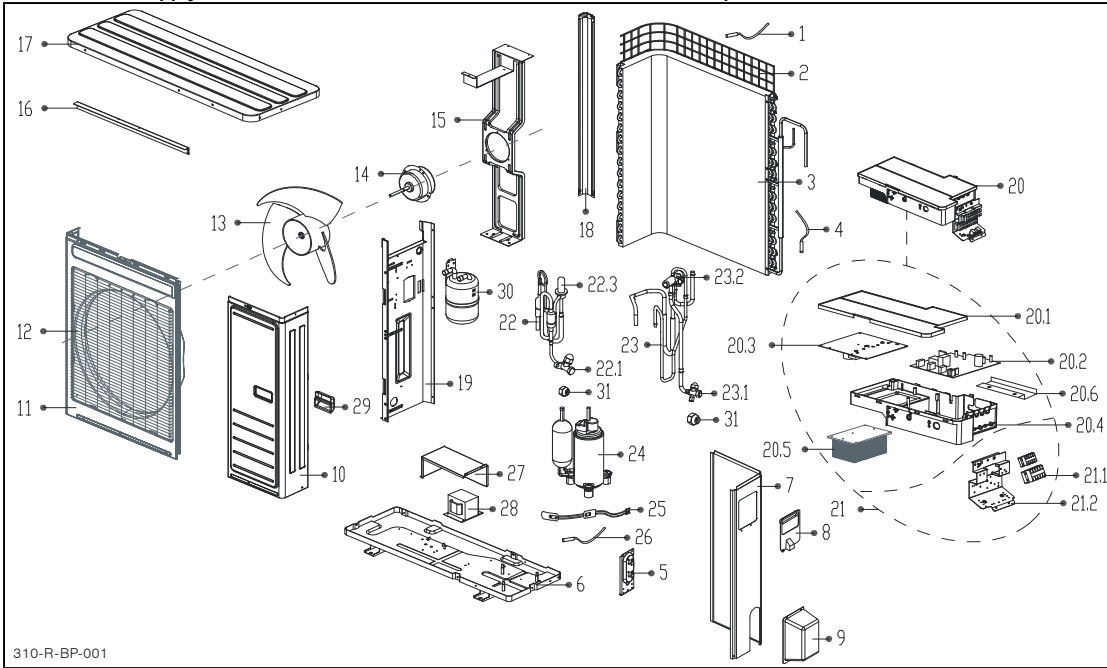
Decription: Inverter Universal Outdoor Unit



No.	Part Name	Quantity	BOM Code	Bin Code	Remark
1	Ambient temperature sensor assembly	1	202301310075	4	
2	Rear net	1	201248100375	17	
3	Condenser assembly	1	201537990036	573	
4	Pipe temperature sensor assembly	1	202440500004	4	
5	Valve plate	1	201237300316	0	
6	Chassis assembly	1	201257090054	94	
7	Rear right clapboard assembly	1	201237890100	46	
8	Big handle	1	201237390104	8	
9	Water collector	1	201137390017	4	
10	Front right clapboard assembly	1	201248100389	44	
11	Front panel	1	201248100356	55	
12	Air outlet grille	1	201237890112	27	
13	Axial flow fan	1	201100300553	0	
14	Brushless DC Motor	1	202400300535	0	
15	Supporter assembly of fan motor	1	201257090067	0	
17	Top cover assembly	1	201248100363	44	
18	Left supporter	1	201248100364	25	
19	Partition board assembly	1	201237790031	42	
20	Electronic control box assembly	1	203337890344	0	
20.1	Cover of electronic control box	1	201237300162	6	
20.2	Outdoor main control board assembly	1	201337890038	0	
20.3	Support of electronic control box	1	201137300162	6	
20.4	Radiator	1	202301900112	61	
20.5	Electronic installing box	1	201237300318	0	
21	Terminal board assembly	1	203337990161	31	
21.1	Wire joint	1	202301400256	21	
21.2	Terminal board	1	201237890064	4	
22	Liquid valve assembly	1	201637891328	0	
22.1	Liquid valve	1	201600700078	21	
23	4-ways valve assembly	1	201637891329	0	
23.1	Gas valve	1	201600720194	33	
23.2	4-ways valve	1	201600690011	108	
24	Compressor	1	201400600530	1676	
25	Crankcase electric heater	1	202403100501	25	
26	Discharge temperature sensor assembly	1	202301310068	8	
27	Cover of inductance	1	201248090001	12	
28	Reactor	1	202301050026	147	
28	Reactor	1	202301000819	61	
30	Clamp of front net	8	201135110801	2	
31	Capacitor of compressor	1	202401000078	0	
32	Capacitor clip	1	201200100002	2	

Model Number : YN024GMFI16RUD
Product Code : 220075302060
Power Supply : 208-230V~ 60Hz 1Phase

Decription: Inverter Universal Outdoor Unit

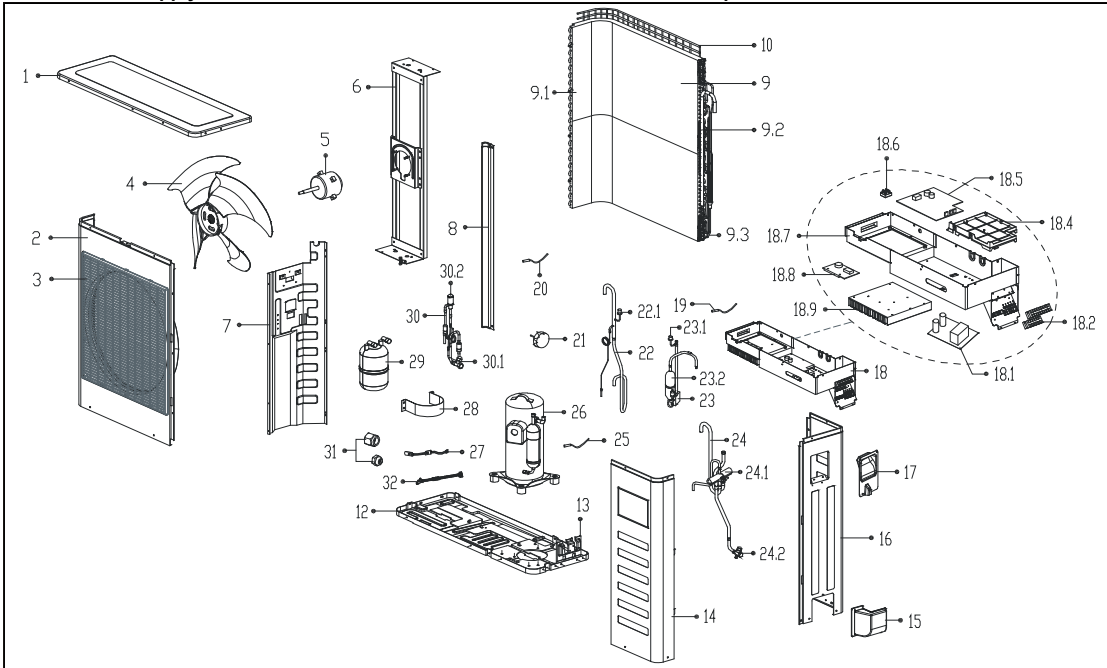


310-R-BP-001

No.	Part Name	Quantity	BOM Code	Bin Code	Remark
1	Ambient temperature sensor assembly	1	202301310075	4	
2	Rear net	1	2011482G0001	8	
3	Condenser assembly	1	201538090077	1120	
4	Pipe temperature sensor assembly	1	202301300111	6	
5	Valve plate	1	201248300316	8	
6	Chassis assembly	1	201257190085	119	
7	Rear right clapboard assembly	1	201238090067	59	
8	Big handle	1	201237390104	8	
9	Water collector	1	201138090002	6	
10	Front right clapboard assembly	1	201248200082	71	
11	Front panel	1	201248200103	99	
12	Air outlet grille	1	201238090068	29	
13	Axial flow fan	1	201100300527	63	
14	Asynchronous motor	1	202400300047	470	
15	Supporter assembly of fan motor	1	201257190071	67	
16	Rear supporter	1	201248200095	8	
17	Top cover assembly	1	201248300309	55	
18	Left supporter	1	201248400036	12	
19	Partition board assembly	1	201257190115	46	
20	Electronic control box assembly	1	203375390333	1015	
20.1	Cover of electronic control box	1	201157190011	15	
20.2	Main control board assembly	1	201375390334	282	
20.3	Inverter control board assembly	1	201357190085	687	
20.4	Installation board for E-parts	1	201157190010	34	
20.5	Radiator	1	202301901173	66	
20.6	Installation plate of PCB	1	201295200010	2	
21	Terminal board assembly	1	203375390334	0	
21.1	Wire joint	1	202301400306	0	
21.1	Wire joint	1	202301450121	4	
21.2	Terminal board	1	201257190120	6	
22	Liquid valve assembly	1	201675490196	254	
22.1	Liquid valve	1	201600740706	25	
22.3	Electronic expansion valve	1	201601300032	203	
23	4-way valve assembly	1	201638190294	233	
23.1	Gas valve	1	201600720398	48	
23.2	4-Ways valve	1	201600600119	117	
24	Compressor	1	201400601740	1781	
25	Crankcase electric heater	1	202403101715	25	
26	Discharge temperature sensor assembly	1	202448200000	11	
27	Cover of inductance	1	201248390003	10	
28	Reactor	1	202301000943	110	
29	Small Handle	2	201148700009	2	
30	Accumulator cylinder	1	201601000086	119	
31	Copper nut	1	201600320003	8	
31	Copper nut	1	201600320001	4	

Model Number : YN036GMFI16RUD
Product Code : 220075502580
Power Supply : 208-230V~ 60Hz 1Phase

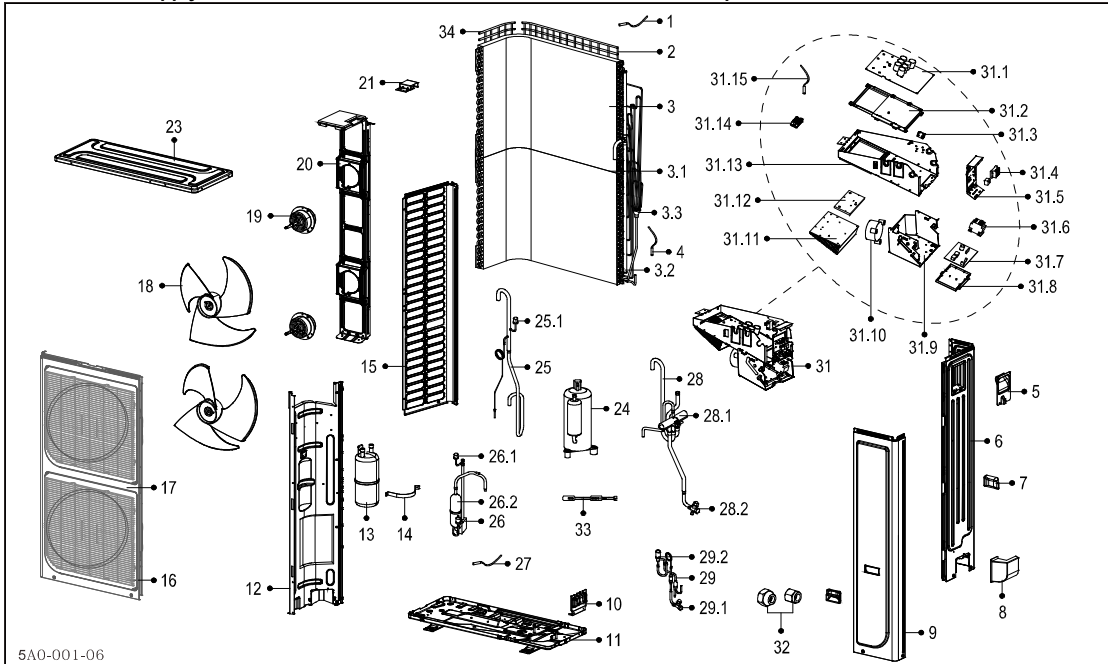
Decription: Inverter Universal Outdoor Unit



No.	Part Name	Quantity	BOM Code	Bin Code	Remark
1	Top cover assembly	1	201275590191	59	
2	Front panel	1	201248700257	109	
3	Air outlet grille	1	201248700055	33	
4	Axial flow fan	1	201100320624	92	
5	Asynchronous motor	1	202400300051	789	
6	Supporter assembly of fan motor	1	201275590219	44	
7	Partition board assembly	1	201257190130	0	
8	Left supporter	1	201248700261	107	
9	Condenser assembly	1	201538190031	1110	
9.1	Condenser assembly	1	201538190052	0	
9.2	Input pipe assembly	1	201638190314	57	
9.3	Fluted pipe assembly	1	201657390055	6	
10	Rear net	1	201248700280	33	
12	Chassis assembly	1	201275590093	136	
13	Valve plate	1	201248790014	6	
14	Front right clapboard assembly	1	201248700056	65	
15	Water collector	1	201148790000	8	
16	Rear right clapboard assembly	1	201248700256	69	
17	Big handle	1	201237390104	8	
18	Electronic control box assembly	1	203375590339	0	
18.1	Outdoor Power Supply Plate Subasly	1	201319901145	585	
18.2	Wire joint	1	202301400306	0	
18.2	Wire joint	1	202301450121	4	
18.4	Installing Plate	1	201157390005	12	
18.5	Main control board assembly	1	201375590209	0	
18.6	Rectifier bridge	1	202300500328	15	
18.7	E-part box Subassembly	1	201275590179	67	
18.8	Inverter control board assembly	1	201357190031	407	
18.9	Radiator	1	202301901085	126	
19	Pipe temperature sensor assembly	1	202301300111	6	
20	Ambient temperature sensor assembly	1	202301310075	4	
21	Electrical inductance	1	202301000523	172	
22	Suction pipe assembly	1	201675490388	114	
22.1	Pressure switch	1	202301820021	25	
23	Discharge pipe assembly	1	201675591168	149	
23.1	Pressure switch	1	202301820020	29	
23.2	Oil separator	1	201601100168	83	
24	4-way valve assembly	1	201675590827	413	
24.1	4-Ways valve	1	201600600124	233	
24.2	Gas valve	1	201600770802	73	
25	Discharge temperature sensor	1	202448200000	11	
26	Compressor	1	201401500220	2867	
27	Crankcase electric heater	1	202403101715	25	
28	Fix clamp of segregator	1	201245000901	4	
29	Accumulator cylinder	1	201601000074	119	
30	liquid valve assembly	1	201675490283	377	
30.1	Liquid valve	1	201600740704	25	
30.2	Electronic expansion valve	1	201601300033	205	
31	Copper nut	1	201600320003	8	
31	Copper nut	1	201600320001	4	
32	Compressor wire assembly	1	202402220152	0	

Model Number : YN048GMFI16RUD
Product Code : 220075702490
Power Supply : 208-230V~ 60Hz 1Phase

Decription: Inverter Universal Outdoor Unit



5A0-001-06

No.	Part Name	Quantity	BOM Code	Bin Code	Remark
1	Ambient temperature sensor assembly	1	202301390003	6	
2	Rear net	1	2012487A0313	0	
3	Condenser assembly	1	201575790146	1857	
3.1	Condenser assembly	1	201575790144	803	
3.1	Condenser assembly	1	201575790145	805	
3.2	Input pipe assembly	1	201675790936	120	
3.3	Fluted pipe assembly	1	201675591150	4	
4	Pipe temperature sensor assembly	1	202450200331	8	
5	Big Handle assembly	1	201237390104	8	
6	Rear right clapboard assembly	1	201248700199	109	
7	Handle	2	201148700009	2	
8	Water collector	1	201148790000	8	
9	Front clapboard assembly	1	201248700204	84	
10	Valve plate	1	201248790014	6	
11	Chassis	1	201248700290	159	
12	Partition board assembly	1	201248700235	120	
13	Accumulator cylinder	1	201601000636	128	
14	Fix clamp of segregator	1	201248700067	2	
15	Left clapboard	1	201248700203	0	
16	Air outlet grille	2	201275790250	0	
17	Front panel	1	201248700201	160	
18	Axial flow fan	2	201100300045	57	
19	Fan motor	2	202400370026	0	
20	Supporter assembly of fan motor	1	201248700245	0	
21	Support Board	1	201248300231	2	
23	Top cover assembly	1	201248300242	73	
24	Compressor	1	201401500330	0	
25	Suction pipe assembly	1	201675790947	0	
25.1	Pressure switch	1	202301820021	25	
26	Discharge pipe assembly	1	201675790951	0	
26.1	Pressure switch	1	202301820038	27	
26.2	Oil separator	1	201601100168	83	
27	Discharge temperature sensor assembly	1	202301300124	8	
28	4-way valve assembly	1	201675790959	397	
28.1	4-way valve	1	201600600124	233	
28.2	Gas valve	1	201600770802	73	
29	Liquid valve assembly	1	201675790952	261	
29.1	Liquid valve	1	201600740704	25	
29.2	Electronic expansion valve	1	201601300022	201	
31	Electronic control box assembly	1	203375790141	0	
31.1	Main control board assembly	1	201375790081	0	
31.2	Installation plate for main board	1	201175890009	21	
31.3	Magnetic Loop	2	202301000016	27	
31.4	Wire joint	1	202301450121	4	
31.4	Wire joint	1	202301400544	0	
31.5	Terminal Installing Plate	1	201248700233	8	
31.6	AC contactor	1	202300850043	185	
31.7	Outdoor power board assembly	1	201375890171	0	
31.8	Installing Plate	1	201175890008	6	
31.9	Connecting board of electronic control bo	1	201275890158	25	
31.10	PFC Inductor	1	202301000982	0	
31.11	Radiator	1	202301900140	254	
31.12	Radiator	1	202301900139	69	
31.13	Electric Component Mounted Board Sub	1	201248700234	42	
31.14	Three phase bridge	1	202300500326	277	
31.15	Discharge temp sensor assembly	1	202301310068	8	
32	Copper nut	1	201600320001	4	
32	Copper nut	1	201600320003	8	
33	Crankcase electric heater	1	202403101726	27	