

Job Name:	
Submitted By:	



Submittal Sheet For: YN012GMFI22RPE / FB012GMFILDFHE

Date _____
 Ref. _____

Floor Mounted Inverter Heat Pump (1 Ton)

System Full Set Model: **FYB012GMFILCAD**
 AHRI Reference Number: **208141955**

Cooling Mode Performance

Rated Cooling	12000 BTU/hr
Ambient Range	5°F ~ 122°F
SEER Rating	21.5 BTU/W·h
EER Rating	13.0 BTU/W·h

* 100% Capacity @ Indoor DB 80°F/WB 66°F / Outdoor DB 95°F/WB 75°F / m.w. 25"lineset

Heating Mode Performance

Rated Heating	12000 BTU/hr
Ambient Range	-13°F ~ 86°F
HSPF IV (V)	10 (8.0) BTU/W·h
COP	3.52 W/W

* High Heat (47°F) = 12000 BTU / Low Heat (17°F) = 10500 BTU / COP(5°F) = 1.75



Floor/Low-Wall Mounted Console



Outdoor Condensing Unit



Installation Kit (Pipe+Cable)



Handheld Remote Controller

Electrical Information

Rated Input (W)	Cooling	Heating
	923	1,000
Rated Current (A)	4.22	4.58
Breaker Needed	15A (double-pole)	
Power Supply	208~230V, 1Ph, 60Hz	

Piping and Refrigerant

Liquid Line (OD)	1/4"
Suction Line (OD)	1/2"
Refrigerant Precharge	R410a (10 - 25 ft.)
Max Length/Height Diff.	82 Ft. / 33 Ft.

Interior Unit (Air Handler) Specifications

Airflow Rate (CFM)	365 (Hi) / 318 (Med) / 248 (Lo)
Sound Level (dBA)	43.0 (Hi) / 39.0 (Med) / 33.0 (Lo)
Air Circulation	Two Air Outlets / Four Air Inlets
Dimensions (WDH)	27"-9/16 x 8"-1/4 x 23"-5/8
Weight (Lbs)	32.6

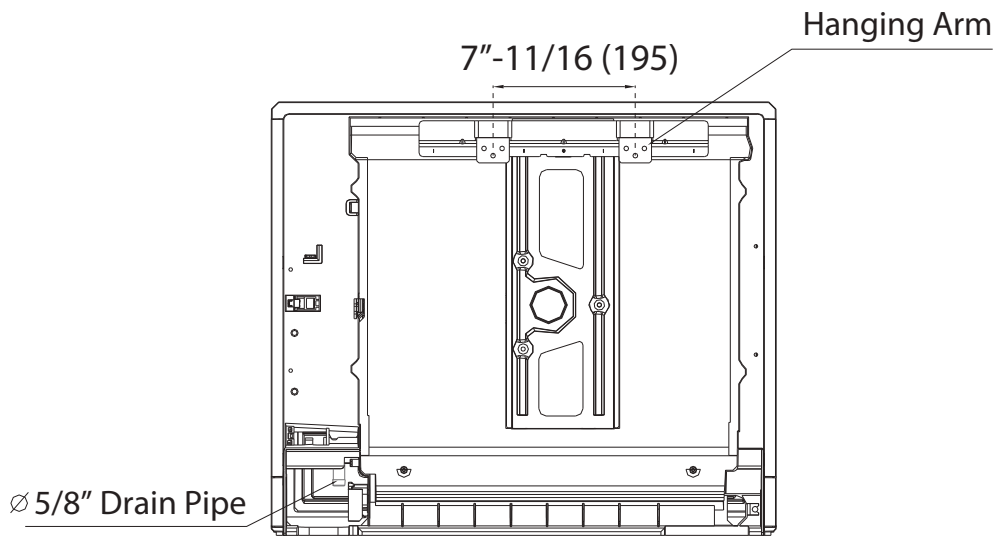
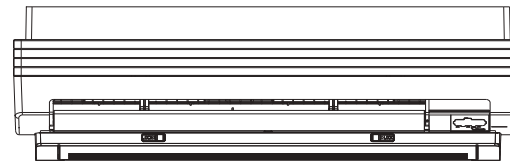
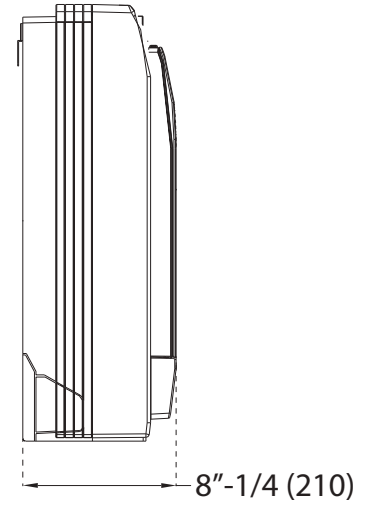
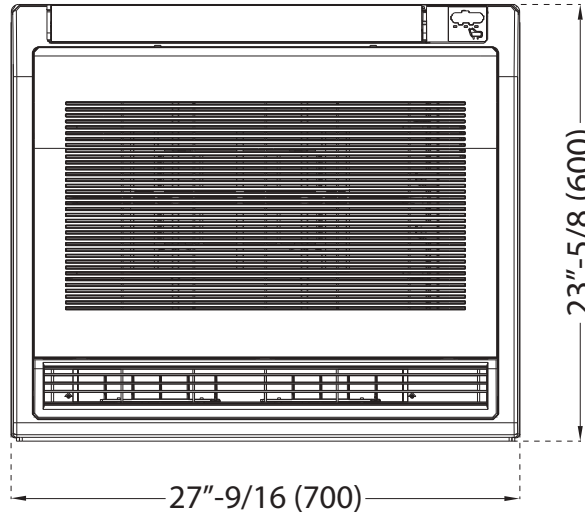
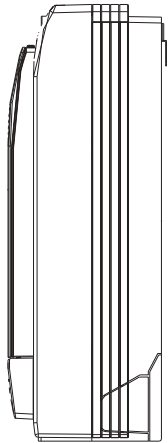
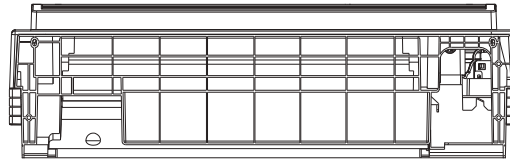
Exterior Unit (Condenser) Specifications

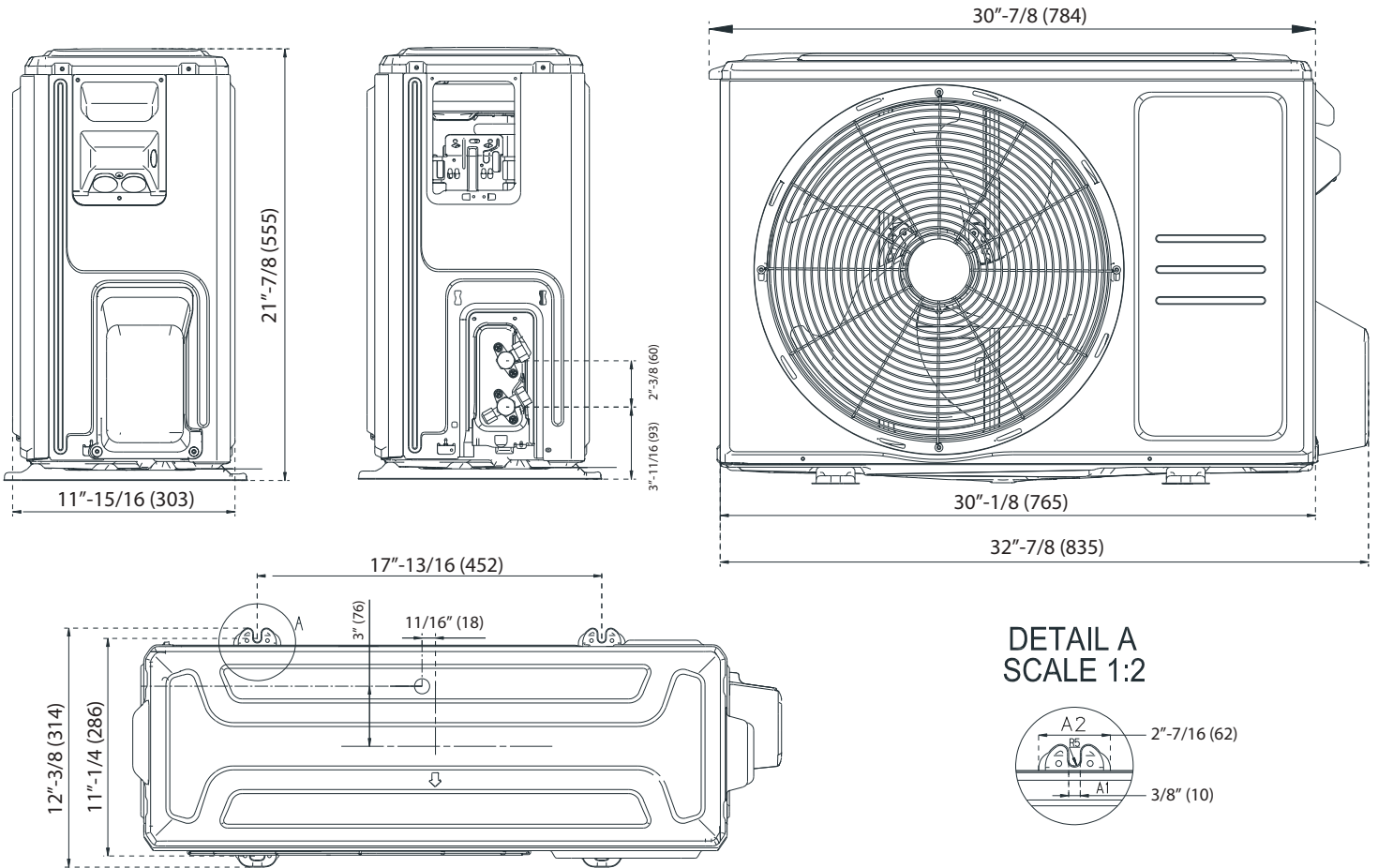
Airflow Rate (CFM)	1,294
Sound Level (dBA)	53.5
Metering Device	Electronic Expansion Valve (EXV)
Compressor	Rotary
Dimensions (WDH)	30"-1/8 x 11"-7/8 x 21"-7/8"
Weight (Lbs)	63.7

This combination is Energy-Star® certified.



All dimensions are in Inches (mm)





Warranty Information and Length



Complete warranty details are available with the vendor or online at <https://www.pdhvac.com/support/warranty/>. This high quality system is eligible for up to **5** years limited warranty on the compressor, and **5** years on other internal parts. To qualify for this warranty, the system must be installed within 90 days and registered properly. All other installations that are unregistered qualify for only **1** year parts/compressor warranty.

Outstanding Features

- Modern and Elegant Appearance
- Mount on Floor or Low-Wall
- Quadruple Return Air Inlets
- Dual Outlet Quick Cooling
- Advanced Centrifugal Fan
- Slim Cabinet Footprint
- Anti-Cold Air Heating
- DC Indoor Fan Motor

Available Accessories

Part Number	Description
IKT-LCVR4P-KIT	<i>Decorative PVC Line Cover Kit</i>
KJR-12B	<i>Wired Remote Controller</i>
BRK-FRM-C-2P	<i>Folding Mounting Bracket w/ Leveler</i>
IKT-UVL32UL-AG	<i>UVC Bacterial Disinfection Kit</i>
@ICM517	<i>Ultimate Surge and Power Protection</i>