

Job Name:	
Submitted By:	



Submittal Sheet For: YN018GMFI22RPE / UB018GMFILCFHD

Date _____
 Ref. _____

Floor/Ceiling Mount Inverter Driven Heat Pump (1.5 Ton)

System Full Set Model: **UYB018GMFILCAD**
 AHRI Reference Number: **208141956**

Cooling Mode Performance

Rated Cooling	18000 BTU/hr
Ambient Range	5°F ~ 122°F
SEER Rating	21.5 BTU/W·h
EER Rating	12.5 BTU/W·h

* 100% Capacity @ Indoor DB 80°F/WB 66°F / Outdoor DB 95°F/WB 75°F / m.w. 16' lineset

Heating Mode Performance

Rated Heating	20000 BTU/hr
Ambient Range	-13°F ~ 86°F
HSPF IV (V)	10.5 (8.5) BTU/W·h
COP	2.92 W/W

* High Heat (47°F) = 20000 BTU / Low Heat (17°F) = 12800 BTU / COP(5°F) = 1.75



Floor/Ceiling Flex Indoor Unit



Outdoor Condensing Unit



Installation Kit (Pipe+Cable)



Handheld Remote Controller

Electrical Information

Rated Input (W)	Cooling	Heating
	1,450	2,010
Rated Current (A)	6.29	8.51
Breaker Needed	20A (double-pole)	
Power Supply	208~230V, 1Ph, 60Hz	

Piping and Refrigerant

Liquid Line (OD)	1/4"
Suction Line (OD)	1/2"
Refrigerant Precharge	R410a (10 - 25 ft.)
Max Length/Height Diff.	100 Ft. / 66 Ft.

This combination is Energy-Star® certified.



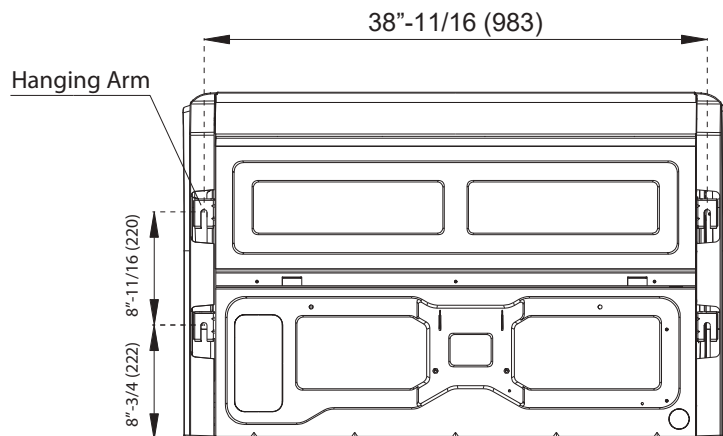
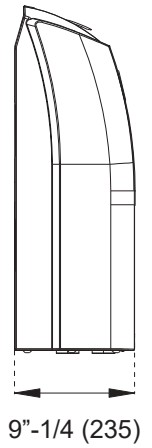
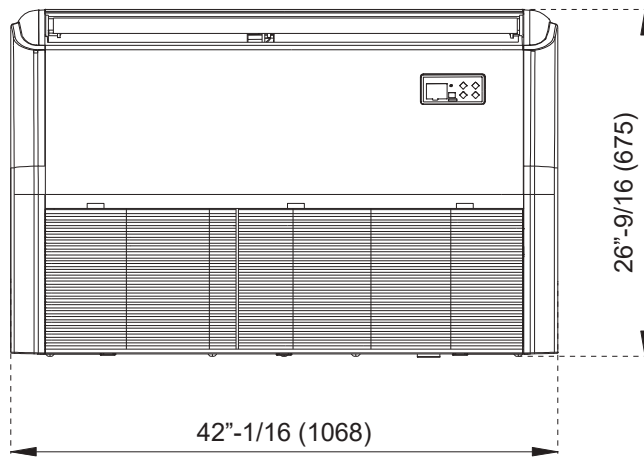
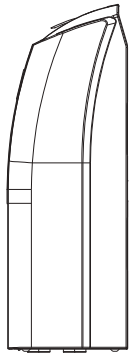
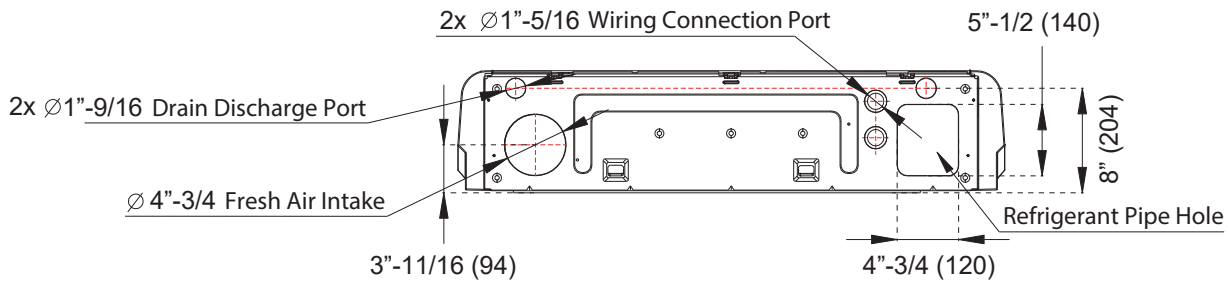
Interior Unit (Air Handler) Specifications

Airflow Rate (CFM)	548 (Hi) / 485 (Med) / 421 (Lo)
Sound Level (dBA)	47.0 (Hi) / 43.5 (Med) / 40.5 (Lo)
Mounting Options	Upright (Floor) / Horizontal (Ceiling)
Dimensions (WDH)	42"-1/16 x 9"-1/4 x 26"-9/16
Weight (Lbs)	57.1

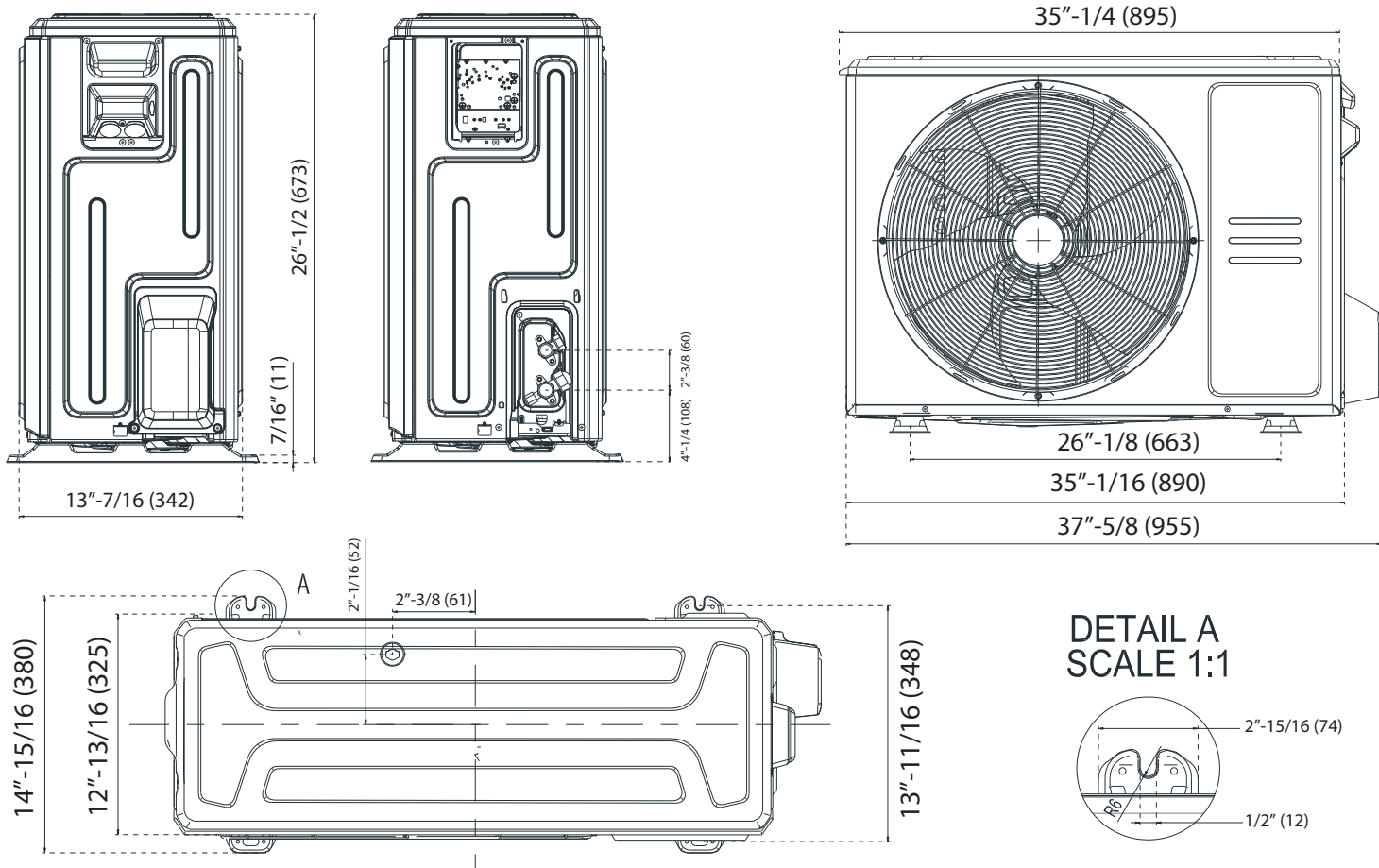
Exterior Unit (Condenser) Specifications

Airflow Rate (CFM)	2,058
Sound Level (dBA)	59.0
Metering Device	Electronic Expansion Valve (EXV)
Compressor	Rotary
Dimensions (WDH)	35" x 13"-1/2 x 26-1/2"
Weight (Lbs)	94.4

UB018GMFILCFHD Air Handler Dimensional Data



All dimensions are in Inches (mm)



Warranty Information and Length



Complete warranty details are available with the vendor or online at <https://www.pdhvac.com/support/warranty/>. This high quality system is eligible for up to **5** years limited warranty on the compressor, and **5** years on other internal parts. To qualify for this warranty, the system must be installed within 90 days and registered properly. All other installations that are unregistered qualify for only **1** year parts/compressor warranty.

Outstanding Features

- Minimalist Design + Quiet Operation
- Two-Way Installation (Ceiling/Floor)
- Optional Programmable Controller
- Multiple Lineset Hookup Options
- 3D Airflow (Vertical + Horizontal)
- Washable Re-usable Filter
- Dual Drainage Locations
- Fresh Air Intake Port

Available Accessories

Part Number	Description
IKT-LCVR4P-KIT	Decorative PVC Line Cover Kit
TST-LCACWIFIKP	Smart-WiFi Wired Wall Thermostat Kit
BRK-FRM-C-2P	Folding Mounting Bracket w/ Leveler
IKT-UVL32UL-AG	UVC Bacterial Disinfection Kit
@ICM517	Ultimate Surge and Power Protection