

Job Name:	
Submitted By:	



Submittal Sheet For: **YN036GMFI18RUE / UB036GMFILCFHD**

Date _____
 Ref. _____

Floor/Ceiling Mount Inverter Driven Heat Pump (3 Ton)

System Full Set Model: **UYB036GMFILCBD**
 AHRI Reference Number: **208121959**

Cooling Mode Performance

Rated Cooling	36000 BTU/hr
Ambient Range	5°F ~ 122°F
SEER Rating	17.0 BTU/W·h
EER Rating	8.0 BTU/W·h

* 100% Capacity @ Indoor DB 80°F/WB 66°F / Outdoor DB 95°F/WB 75°F / m.w. 16' lineset

Heating Mode Performance

Rated Heating	38000 BTU/hr
Ambient Range	5°F ~ 86°F
HSPF IV (V)	10.0 (8.7) BTU/W·h
COP	2.80 W/W

* High Heat (47°F) = 38000 BTU / Low Heat (17°F) = 23000 BTU / Capacities are Net



Floor/Ceiling Flex Indoor Unit



Outdoor Condensing Unit



Installation Kit (Pipe+Cable)



Handheld Remote Controller

Electrical Information

Rated Input (W)	Cooling	Heating
	4,509	3,978
Rated Current (A)	20.6	18.2
Breaker Needed	40A (double-pole)	
Power Supply	208~230V, 1Ph, 60Hz	

Piping and Refrigerant

Liquid Line (OD)	3/8"
Suction Line (OD)	5/8"
Refrigerant Precharge	R410a (10 - 25 ft.)
Max Length/Height Diff.	213 Ft. / 100 Ft.

This combination is AHRI+ETL certified.



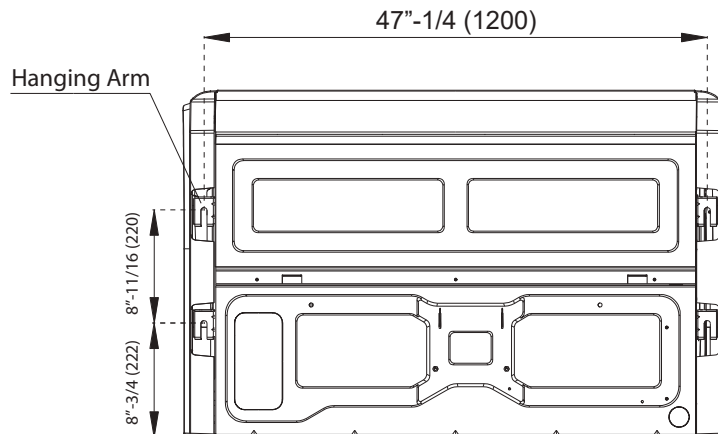
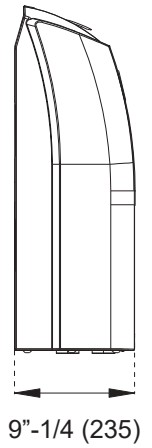
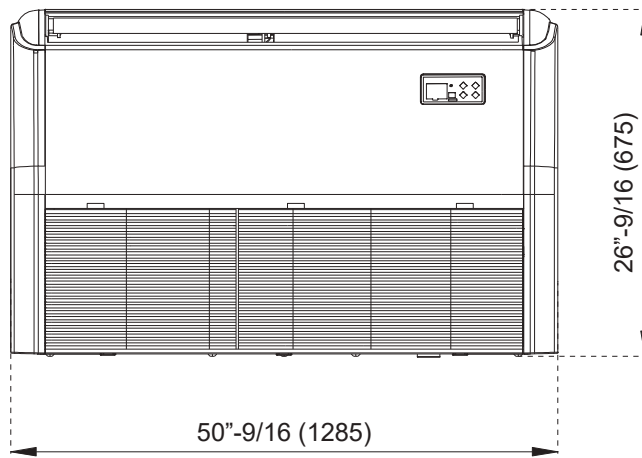
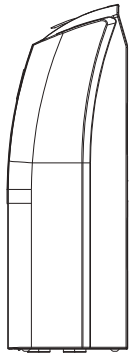
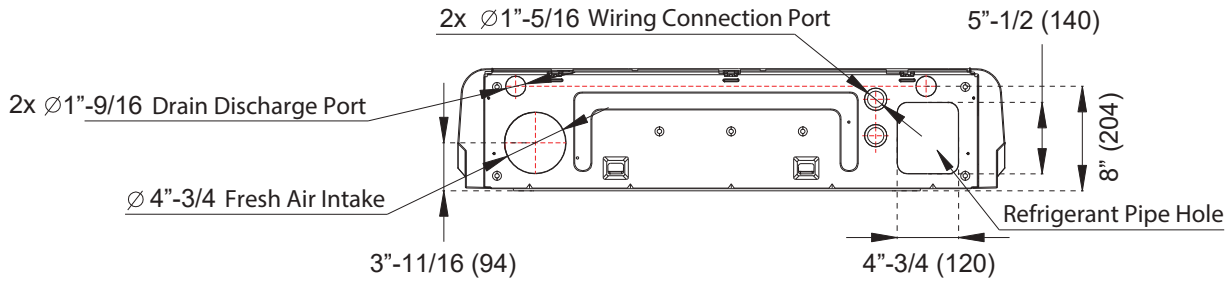
Interior Unit (Air Handler) Specifications

Airflow Rate (CFM)	1,036 (Hi) / 917 (Med) / 638 (Lo)
Sound Level (dBA)	51.5 (Hi) / 48.0 (Med) / 40.5 (Lo)
Mounting Options	Upright (Floor) / Horizontal (Ceiling)
Dimensions (WDH)	50"-5/8 x 9"-1/4 x 26"-9/16
Weight (Lbs)	69.0

Exterior Unit (Condenser) Specifications

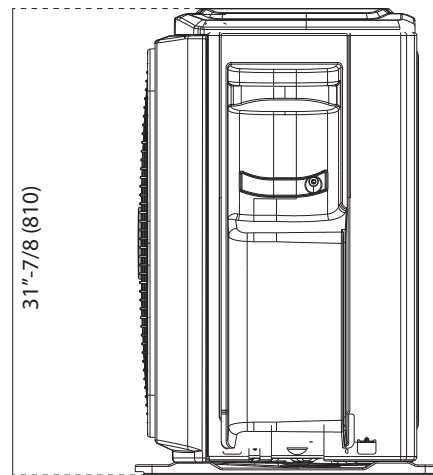
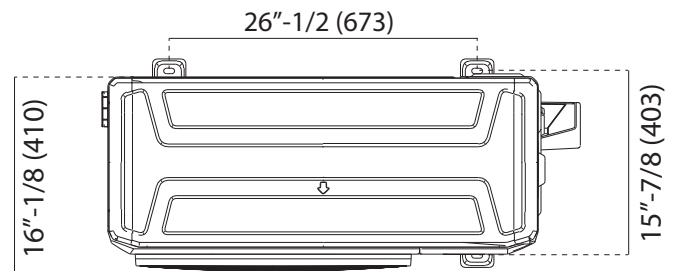
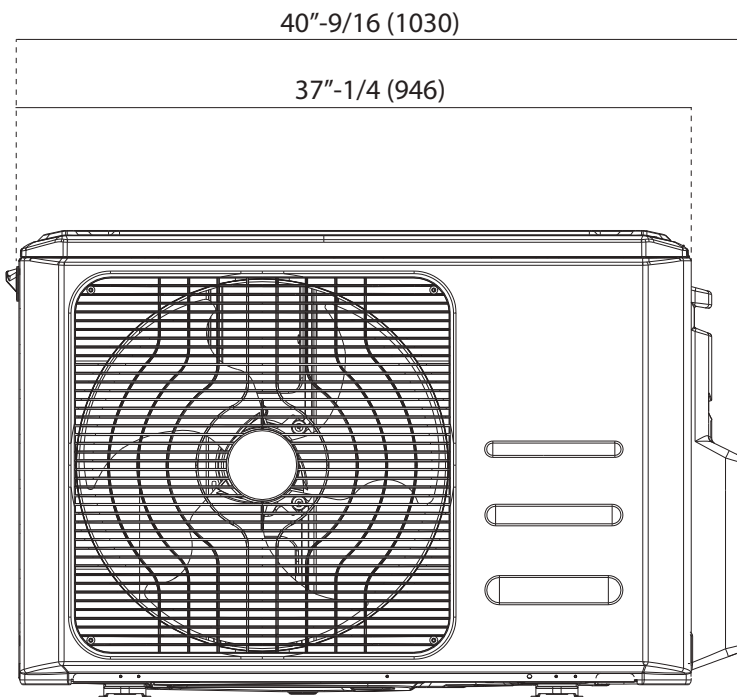
Airflow Rate (CFM)	3,000
Sound Level (dBA)	63.5
Metering Device	Electronic Expansion Valve (EXV)
Compressor	Rotary
Dimensions (WDH)	37"-1/4 x 16"-1/8 x 31"-7/8"
Weight (Lbs)	155.4

UB036GMFILCFHD Air Handler Dimensional Data



All dimensions are in Inches (mm)

All dimensions are in Inches (mm)



Warranty Information and Length



Complete warranty details are available with the vendor or online at <https://www.pdhvac.com/support/warranty/>. This high quality system is eligible for up to **5** years limited warranty on the compressor, and **5** years on other internal parts. To qualify for this warranty, the system must be installed within 90 days and registered properly. All other installations that are unregistered qualify for only **1** year parts/compressor warranty.

Outstanding Features

- Minimalist Design + Quiet Operation
- Two-Way Installation (Ceiling/Floor)
- Optional Programmable Controller
- Multiple Lineset Hookup Options
- 3D Airflow (Vertical + Horizontal)
- Washable Re-usable Filter
- Dual Drainage Locations
- Fresh Air Intake Port

Available Accessories

Part Number	Description
IKT-LCVR4P-KIT	<i>Decorative PVC Line Cover Kit</i>
TST-LCACWIFIKP	<i>Smart-WiFi Wired Wall Thermostat Kit</i>
BRK-FRM-C-2P	<i>Folding Mounting Bracket w/ Leveler</i>
IKT-UVL32UL-AG	<i>UVC Bacterial Disinfection Kit</i>
@ICM517	<i>Ultimate Surge and Power Protection</i>